

SEA&LAND ELECTRONIC CORP.
 13F., No.120-10,
 Sec. 3, Zhongshan Rd., Zhonghe Dist., New Taipei City 235,
 Taiwan
 Tel.: 886-2-8221-2567
 Fax.: 886-2-2225-7268

Techfuse
PTC Devices
 Resettable Fuse

PRODUCT: R16-135
 DOCUMENT: QR0429
 ECN. NO.:
 REV LETTER: A
 REV DATE: 2014/12/30
 PAGE NO.: 1 of 1


Specification Sheet

Insulating Material:
 Meets UL94 V-0 Requirements

Lead-Free, RoHS Compliant

Lead Material:
 Tin Plated Copper-Clad Steel, 24 AWG (0.51mm/0.020" Dia.)

Marking:

Sea&Land Logo


R16 - Radial Type 16V

135 - Hold Current

XXXXY- Date Code & Factory Code

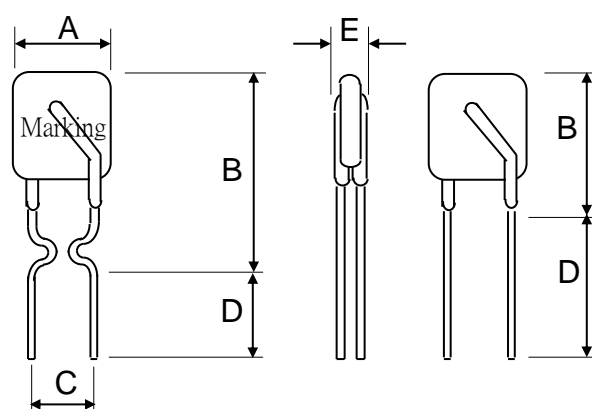


TABLE I. DIMENSIONS:

	A	B	C	D	E
	Max.	Max.	Typ.	Min.	Max.
mm	8.90	13.50	5.10	7.60	3.0

TABLE II. PERFORMANCE RATINGS:

Model Number	V_{max} (Vdc)	I_{max} (A)	I_{hold} @25°C (A)	I_{trip} @25°C (A)	P_d Max. (W)	Maximum Time		Resistance	
						To Trip		Ri min (Ω)	R1 max (Ω)
						Current (A)	Time (Sec)		
R16-135	16	40	1.35	2.70	0.80	8.00	4.5	0.040	0.120

Order Information

Packing

R16	135	Model	Reel Q'ty	Bag Q'ty
Radial type Vmax=16 V	Hold Current 1.35(A)	R16-135	1500	500

Recognition: UL Pending.