

SEA&LAND ELECTRONIC CORP.

13F., No.120-10,
 Sec. 3, Zhongshan Rd., Zhonghe Dist., New Taipei City 235,
 Taiwan
 Tel.: 886-2-8221-2567
 Fax.: 886-2-2225-7268

Techfuse
PTC Devices
 Resettable Fuse

PRODUCT: R16 Series
 DOCUMENT: QR0429
 ECN. NO.:
 REV LETTER: A
 REV DATE: 2014/12/30
 PAGE NO.: 1 of 1

Specification Sheet

Insulating Material:

Meets UL94 V-0 Requirements

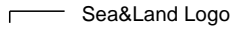

Lead-Free, RoHS Compliant

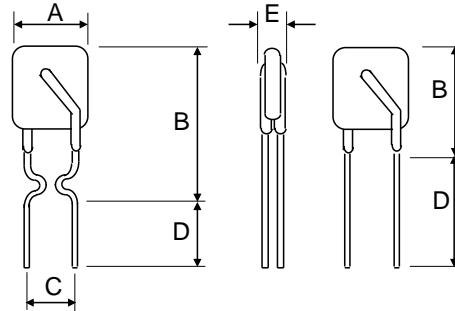
Lead Material:

R16-090~250 : Tin Plated Copper-Clad Steel, 24 AWG (0.51mm/0.020" Dia.)

R16-300~1100 : Tin Plated Copper, 20 AWG (0.81mm/0.032" Dia.)

R16-1200~1800 : Tin Plated Copper, 18 AWG (1.0mm/0.04" Dia.)

Marking:  Sea&Land Logo
 R16 - Radial Type 16V
 090 - Hold Current
 XXXXY- Date Code & Factory Code



Note : Stand-offs only used for R16-090 ~ R16-250

TABLE I. DIMENSIONS: (Unit: mm/inch)

Model Number	A Max.	B Max.	C Typ.	D Min.	E Max.
R16-090	7.40	12.20	5.10	7.60	3.0
R16-110	7.40	14.20	5.10	7.60	3.0
R16-135	8.90	13.50	5.10	7.60	3.0
R16-160	8.90	15.20	5.10	7.60	3.0
R16-185	10.20	15.70	5.10	7.60	3.0
R16-250	10.40	14.30	5.10	7.60	3.0
R16-300	8.80	11.80	5.10	7.60	3.1
R16-400	9.50	12.50	5.10	7.60	3.1
R16-500	9.80	14.60	5.10	7.60	3.1
R16-600	11.60	14.60	5.10	7.60	3.1
R16-700	13.00	17.20	5.10	7.60	3.1
R16-800	14.50	20.00	5.10	7.60	3.1
R16-900	14.50	20.00	5.10	7.60	3.1
R16-1000	17.50	24.50	10.20	7.60	3.1
R16-1100	17.50	24.50	10.20	7.60	3.1
R16-1200	17.50	24.50	10.20	7.60	3.5
R16-1400	20.50	28.00	10.20	7.60	3.5
R16-1800	25.70	32.30	10.20	7.60	3.5

TABLE II. PERFORMANCE RATINGS:

Model Number	V _{max} (Vdc)	I _{max} (A)	I _{hold} @23°C (A)	I _{trip} @23°C (A)	P _d Max. (W)	Maximum Time To Trip		Resistance	
						Current (A)	Time (Sec)	Ri min (Ω)	R1 max (Ω)
R16-090	16	40	0.90	1.80	0.60	8.00	1.2	0.070	0.180
R16-110	16	40	1.10	2.20	0.70	8.00	2.3	0.050	0.140
R16-135	16	40	1.35	2.70	0.80	8.00	4.5	0.040	0.120
R16-160	16	40	1.60	3.20	0.90	8.00	9.0	0.030	0.110
R16-185	16	40	1.85	3.70	1.00	8.00	10.0	0.030	0.090
R16-250	16	100	2.50	5.00	1.20	12.50	5.0	0.020	0.060
R16-300	16	100	3.00	5.10	2.30	15.00	1.0	0.034	0.105
R16-400	16	100	4.00	6.80	2.40	20.00	1.7	0.020	0.063
R16-500	16	100	5.00	8.50	2.60	25.00	2.0	0.014	0.044
R16-600	16	100	6.00	10.20	2.80	30.00	3.3	0.009	0.030
R16-700	16	100	7.00	11.90	3.00	35.00	3.5	0.006	0.021
R16-800	16	100	8.00	13.60	3.00	40.00	5.0	0.005	0.018
R16-900	16	100	9.00	15.30	3.30	45.00	5.5	0.004	0.015
R16-1000	16	100	10.00	17.00	3.60	50.00	6.0	0.003	0.012
R16-1100	16	100	11.00	18.70	3.70	55.00	7.0	0.003	0.010
R16-1200	16	100	12.00	20.40	4.20	60.00	7.5	0.0026	0.009
R16-1400	16	100	14.00	23.80	4.60	70.00	9.0	0.0026	0.008
R16-1800	16	100	18.00	30.40	5.10	54.00	30.0	0.0026	0.008