

**SEA&LAND ELECTRONIC CORP.**

13F.,No.120-10,  
 Sec.3,Zhongshan Rd.,Zhonghe City,Taipei County,  
 Taiwan, R.O.C.  
 Tel.: 886-2-8221-2567  
 Fax.: 886-2-2225-7268

**Techfuse**  
**PTC Devices**  
 Resettable Fuse

PRODUCT: R60-040  
 DOCUMENT: QR0429  
 ECN. NO.:  
 REV LETTER:  
 REV DATE: 2014/12/30  
 PAGE NO.: 1 of 1

# Specification Sheet

Insulating Material:  
 meets UL94 V-0 Requirements

Lead-free,RoHS compliant

Lead Material:  
 Tin plated copper-clad steel, 24AWG (0.020"Dia)

Marking:

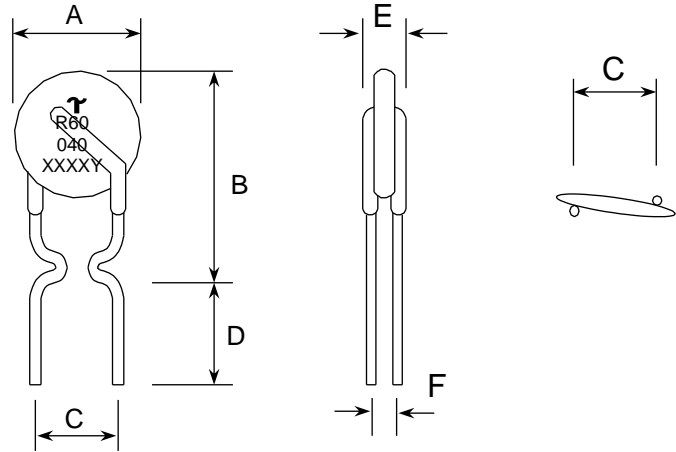
ChipFast Logo



R60 — Radial type 60V

040 — hold current

XXXXY — Date code & Factory code



**TABLE I. DIMENSIONS:**

	A	B	C	D	E	F
	MAX	MAX	TYP	MIN	MAX	MAX
mm	7.6	13.5	5.1	7.6	3.1	1.2

**TABLE II. PERFORMANCE RATINGS:**

Model	V <sub>max</sub> (Vdc)	I <sub>max</sub> (A)	I <sub>hold</sub> @25°C (A)	I <sub>trip</sub> @25°C (A)	P <sub>d</sub> Typ. (W)	Maximum Time To Trip		Resistance		
						Current (A)	Time (Sec)	R <sub>imin</sub> (Ω)	R <sub>imax</sub> (Ω)	R <sub>1max</sub> (Ω)
R60-040	60	40	0.40	0.80	0.56	2.00	3.8	0.40	0.86	1.29

**Order information**

**Packing**

R60	040	K or S	R or U	Model	Reel Q'ty	Bag Q'ty
Radial type 60 V	Hold Current 0.40(A)	K=Kink leads S=Straight leads	R= Tape & Reel U= Bulk packaged	R60-040	3000	500

Tape & Reel packaging per EIA468-B stanc

Recognition UL / TÜV, approved. UL FILE NO. E201504/E319079; TUV FILE R 50274672

