

SEA&LAND ELECTRONIC CORP.

13F., No.120-10,
 Sec. 3, Zhongshan Rd., Zhonghe Dist., New Taipei City 235,
 Taiwan

Tel.: 886-2-8221-2567
 Fax.: 886-2-2225-7268

Techfuse
PTC Devices
 Resettable Fuse

PRODUCT: R16-090
 DOCUMENT: QR0429
 ECN. NO.:
 REV LETTER: A
 REV DATE: 2014/12/30
 PAGE NO.: 1 of 1


Specification Sheet

Insulating Material:
 Meets UL94 V-0 Requirements

Lead-Free, RoHS Compliant

Lead Material:
 Tin Plated Copper-Clad Steel, 24 AWG (0.51mm/0.020" Dia.)

Marking:

Sea&Land Logo


R16 - Radial Type 16V

090 - Hold Current

XXXXY- Date Code & Factory Code

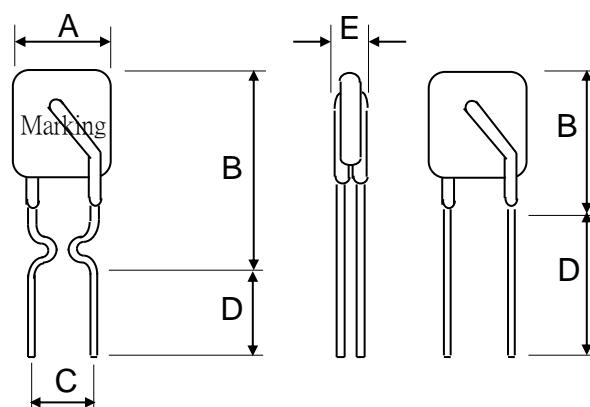


TABLE I. DIMENSIONS:

	A	B	C	D	E
	Max.	Max.	Typ.	Min.	Max.
mm	7.40	12.20	5.10	7.60	3.0

TABLE II. PERFORMANCE RATINGS:

Model Number	V_{max} (Vdc)	I_{max} (A)	I_{hold} @25°C (A)	I_{trip} @25°C (A)	P_d Max. (W)	Maximum Time To Trip		Resistance	
						Current (A)	Time (Sec)	Ri min (Ω)	R1 max (Ω)
R16-090	16	40	0.90	1.80	0.60	8.00	1.2	0.070	0.180

Order Information

Packing

R16	090	Model	Reel Q'ty	Bag Q'ty
Radial type Vmax=16 V	Hold Current 0.9(A)	R16-090	1500	500

Recognition: UL Pending.